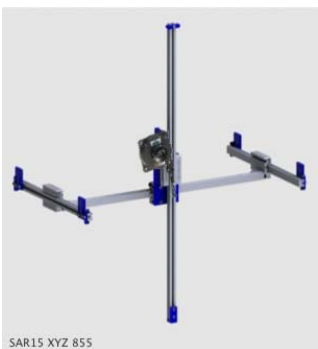




## Kolver Suspended Torque Arms

For torques up to 15Nm

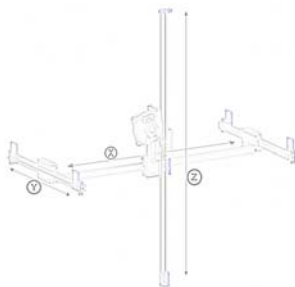


The new Suspended Torque Arms are the ideal solution to increase productivity. They can be easily installed on most workplaces to help the operator handle the screwdriver in total safety and stability:

\* With minimized reaction force you will also improve finished product quality because there is no movement of the tool and all torque is absorbed in the joint.

\* Improve the comfort of the operator and the productivity clearing the work area.

Three models available, depending on the motion of the axes:



- SAR15 Z -> Z Axis
- SAR15 XZ 85 -> XZ Axes
- SAR15 XYZ 855 -> XYZ Axes

The new arms are supplied *without* tool holder – to be purchased depending on the screwdriver:



Tool holder for PLUTO  
inline



Tool holder for PLUTO  
with angle head



Universal Tool Holder  
For any screwdriver

Model	Code	Vertical Stroke "Z" (mm)	Horizontal Stroke "X" (mm)	Horizontal Stroke "Y" (mm)	MAX Torque (Nm)
SAR15 Z	010690/Z/5	364	/	/	15
SAR15 XZ 85	010690/XZ/85	364	692	/	15
SAR15 XYZ 855	010690/XYZ/855	885	692	376	15
Tool holder for PLUTO inline	010695	For any PLUTO..D, PLUTO..FR, PLUTO..D/TA and RAF..NS/FR			
Tool holder for PLUTO w/ angle head	010695/P	For any PLUTO..ANG			
Universal Tool Holder	010695/UNI	For any screwdriver			