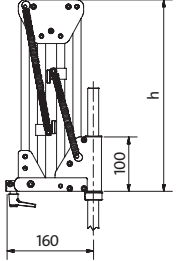
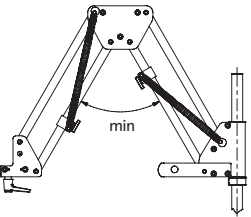
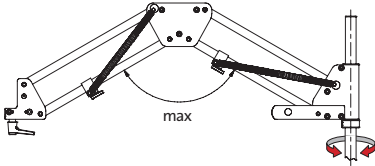


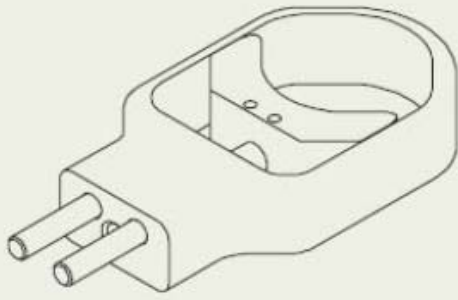
Parallel arm (PA2)

The PA2 parallel arm is intended for vertical operations and is used primarily with threading machines and power screwdrivers.

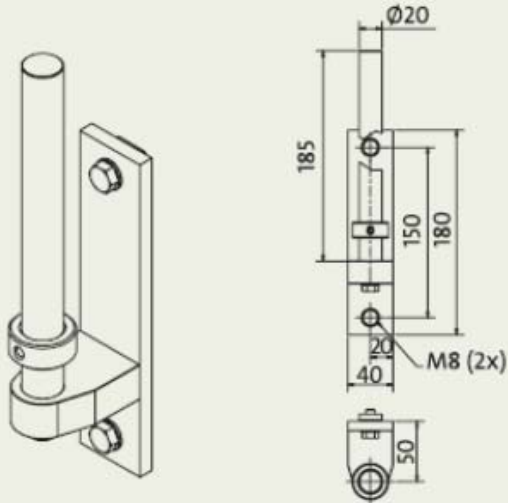
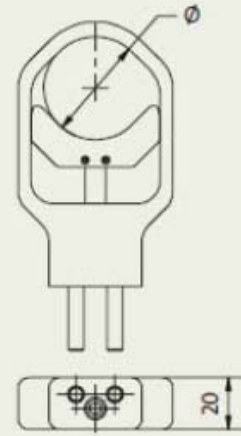
The longer pillar is recommended as installed on the floor when working in a seated position.



Article Number	Load Capacity	Torque	Max reach	Min reach	Height
PA2	0-2 kg	20 Nm	640 mm	440 mm	350 mm



ADJUSTABLE VERTICAL HOLDER



WALL BRACKET

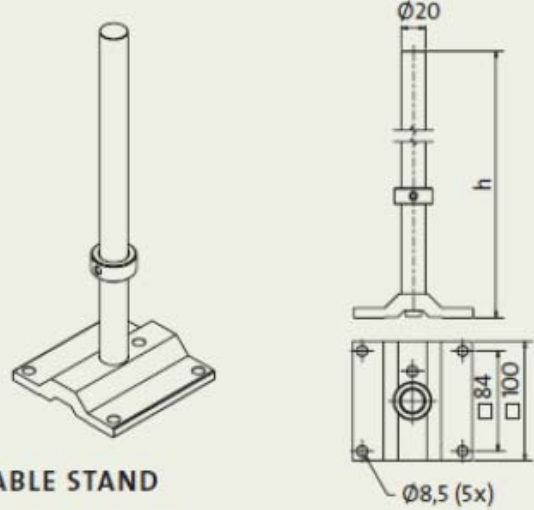


TABLE STAND

The Balancing Arms are dimensioned for heavy duty operation over a long period of time.

PA2 is designed for tools with a torque not exceeding 15 Nm. When tools of a higher torque are being used, DO NOT exceed an angle of 120° as shown.

